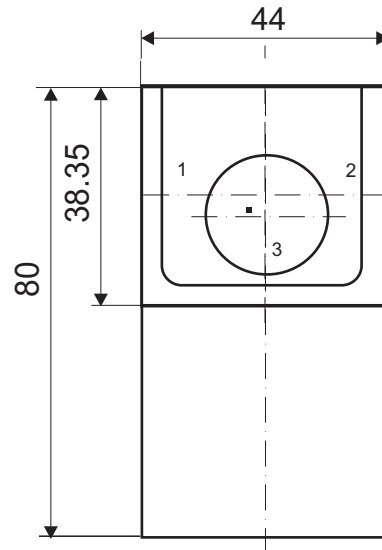
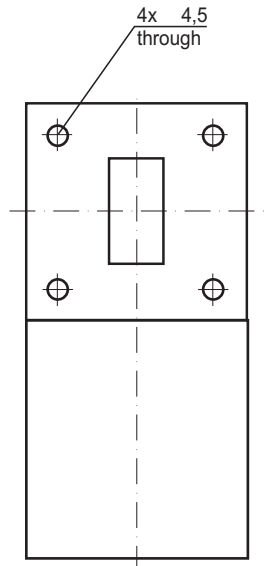
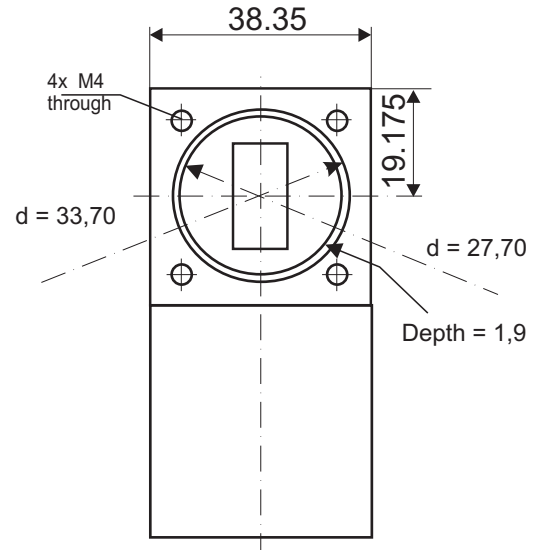


Input



Output



Frequency band:	13.75 - 14.5 Ghz
Insertion loss:	max.: 0.25 dB
Isolation:	min.: 20 dB
Return loss:	min.: 20 dB
Flange input:	MIL 3922/53C-014
Flange output:	154 IEC-PBR 120
Sealing Standard	IP-56
Waweguide:	WR75 (R120)
Average power:	60W
Reverse power:	50W
Body:	Aluminium
Surface:	Alodine NT-E
Temp. range:	-40°C÷ +85°C
Advice:	USE AIR COOLING!!
The isolator made according to Directive 2002/95/EC RoHS	

Date:	Sign:	Confirmation:
7/03/2012	József Bereczki	