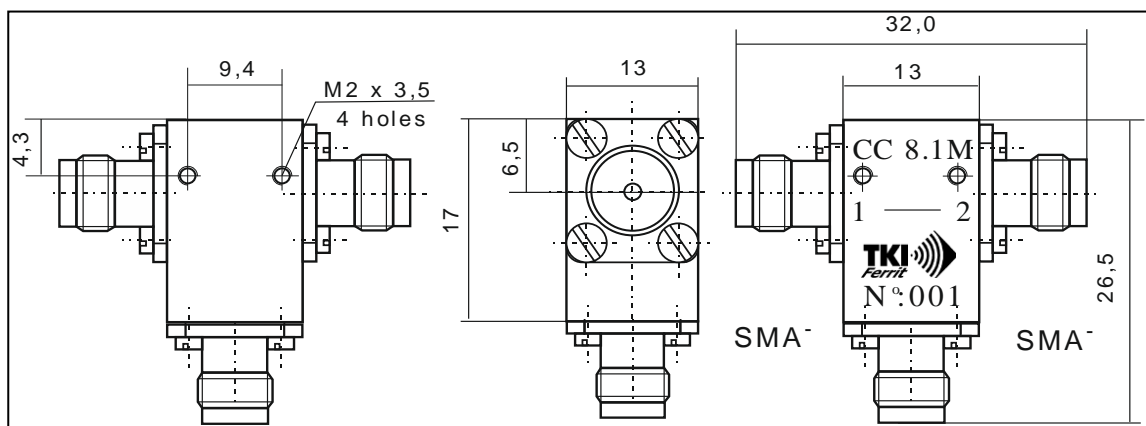


Type:	CC 8.1 M	Internal order code	Template Code:
			4B42
Name of product:		Coaxial circulator	



Parameters				
Name	Min	Max	Dim	Criteria
Frequency band	7,75	8,5	GHz	
Insertion loss		0,2	dB	on temp 25 °C
		0,3	dB	-40 ---- +85 C
Isolation	25,0		dB	on temp 25 °C
	20,0		dB	-40 ---- +85 C
VSWR		1,15		on temp 25 °C
		1,25		-40 ---- +85 C
Average Power handling		30,0	W	
Temperature range	-40,0	85,0	°C	
Surface temperature		90,0	°C	
Connector	SMA female			
Diecton	1	→	2	→ 3
Surface	Ni coated			
Standards	ISO 9001		RoHS	

NOTE: The parameters on the DATASHEET are guaranteed by the manufacturer as measured values on every unit, EXCEPT the values in DARK spaces which are estimated values deduced from the material nature, recent experience, investigations or theoretical considerations. Further measurements are to be ordered particularly.

Date	Producer's Sign	Customer's confirmation
08/05/2012		

Roote

The customer is kindly asked to confirm the parameters, send the signed DATASHEET with the order. The order goes to force including this confirmed datasheet.