

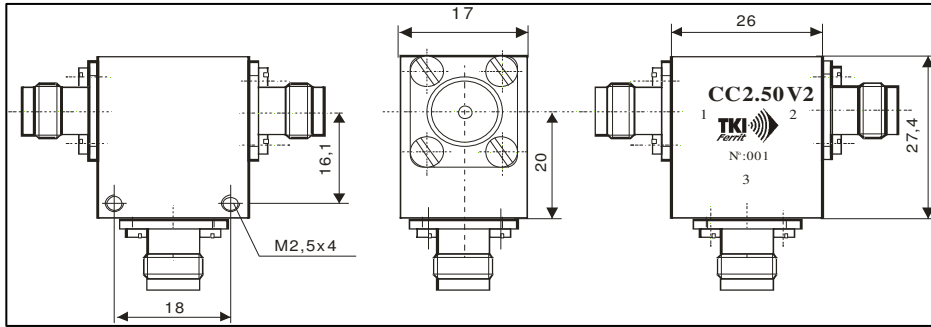


DATASHEET



Code: **CC 2.50 V2** Internal order code

Name of product: **Coaxial circulator**



Parameters				
	Min	Max	Dim	Criterion
Frequency band	2,3	2,7	GHz	
Insertion loss		0,35	dB	room temp
		20	dB	full. Temp. Range
Isolation	23		dB	room temp
	20		dB	full. Temp. Range
VSWR		1,17:1		room temp
		1,25:1		full. Temp. Range
Forward Power		10	W	
Temperature range	- 10	65	°C	
Surface temperature		65	°C	
Connectors SMA female				
Forward direction	1	→	2	→ 3
Surface	Ni coated			
Standards	ISO 9001		RoHS	
Date	Sign		Confirmation	
20-Feb-2014	D. Sztaniszláv			

Root CC 2,4