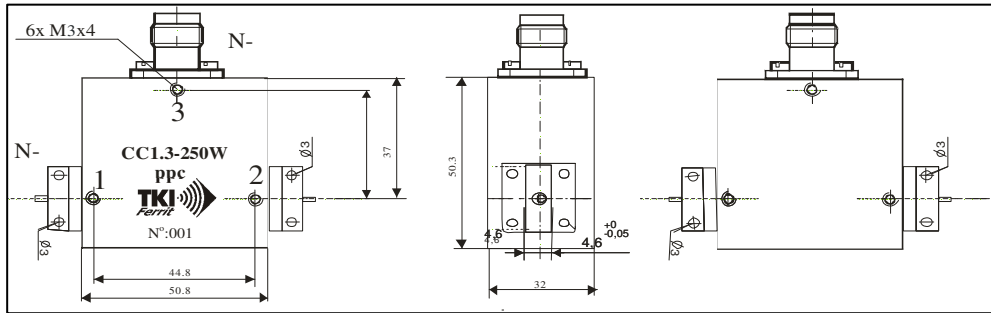




**DATASHEET**



<b>Code:</b>	<b>CC 1,3 250W ppc</b>	<b>Internal order code</b>
<b>Name of product:</b>	<b>Coaxial circulator</b>	



<b>Parameters</b>				
	<b>Min</b>	<b>Max</b>	<b>Dim</b>	<b>Criterion</b>
<b>Frequency band</b>	<b>1200</b>	<b>1400</b>	<b>MHz</b>	
<b>Insertion loss</b>		<b>0,35</b>	<b>dB</b>	<b>on full temp range</b>
<b>Isolation</b>	<b>20</b>		<b>dB</b>	<b>on full temp range</b>
<b>VSWR</b>		<b>1,22: 1</b>		<b>on full temp range</b>
<b>Average Power</b>		<b>250</b>	<b>W</b>	
<b>Peak power</b>		<b>2,5</b>	<b>kW</b>	
<b>Temperature range</b>	<b>-32</b>	<b>49</b>	<b>°C</b>	
<b>Surface temperature</b>		<b>70</b>	<b>°C</b>	
<b>Forward direction</b>	<b>1</b>	<b>→</b>	<b>2</b>	<b>→ 3</b>
<b>Surface</b>	<b>Ni coated</b>			
<b>Colling</b>	<b>USE AIR COOLING</b>			
<b>Standards</b>	<b>ISO 9001</b>		<b>RoHS</b>	
<b>Date</b>	<b>Sign</b>		<b>Confirmation</b>	
<b>22-Aug-2012</b>	<b>D. Sztaniszláv</b>			