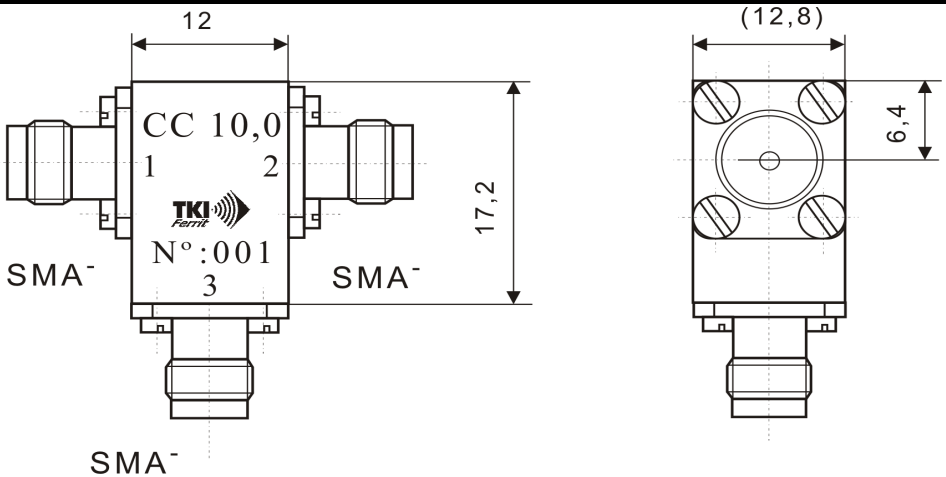




DATASHEET



Code:	CC 10 aaa	Internal order code
Name of product:	Coaxial circulator	



Parameters				
	Min	Max	Dim	Criterion
Frequency band	9	11	GHz	
Insertion loss		0,35	dB	on temp 25 °C
		0,5	dB	full temp. Range
Isolation	24		dB	on temp 25 °C
	20		dB	full temp. Range
VSWR		1,15		on temp 25 °C
		1,29		full temp. Range
Temperature range	-20	85	°C	
Surface temperature		90	°C	
Forward direction	1	→	2	→ 3
Surface	Ni coated			
Cooling				
Standards	ISO 9001		RoHS	

Date	Sign	Confirmation
20/04/2012	D. Sztaniszláv	

root

CC9,8