



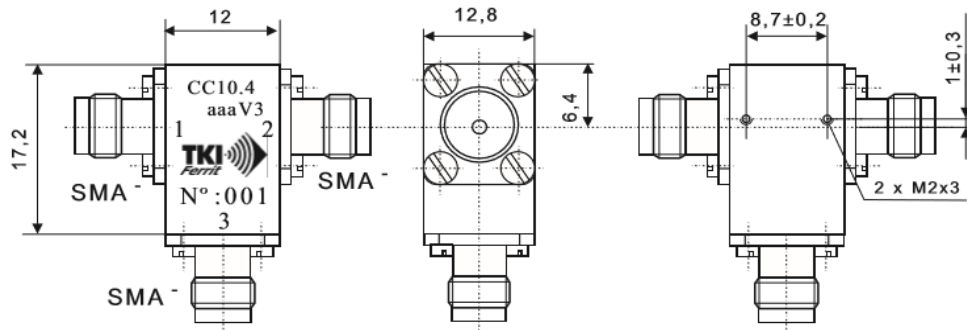
CC 10,4 aaa V3

 Internal order
code

 Template
Code:

4B42

Coaxial circulator



Parameters

Name	Min	Max	Dim	Criteria
Frequency band	10,2	10,6	GHz	
Insertion loss		0,3	dB	at 25 °C
Isolation	20		dB	at 25 °C
VSWR		1,22		at 25 °C
Power handling		20	W	
Temperature range	-30	70	°C	
Surface temperature		75	°C	
Connector	SMA female,			
Direction	1 →	2 →	3	
Body material	Ni coated			
Standards	ISO 9001	RoHS		

NOTE: The parameters on the DATASHEET are guaranteed by the manufacturer as measured values on every unit, EXCEPT the values in grey spaces which are estimated values deduced from the material nature, recent experience, investigations or theoretical considerations. Further measurements are to be ordered particularly.

Date	Producer's Sign	Customer's confirmation
21/07/2016		

Root

The customer is kindly asked to confirm the parameters, send the signed DATASHEET with the order. The order goes to force including this confirmed datasheet.

